

Large Modern Porch Swing or Bench

[View \(/woodworking-projects/large-modern-porch-swing-or-bench\)](#)

[Edit \(/node/2697/edit\)](#)

[Delete \(/node/2697/delete\)](#)

SUBMITTED BY ANA WHITE (/USER/1) ON FRI, 06/24/2011 - 12:56



Difficulty: **Beginner**

Free simple easy to build do it yourself plans to build a DIY porch swing or bench. Features extra wide and deep seat, ideal for napping or lounging, perfect for standard cushions. Plans call for off the shelf dimensional lumber, mostly 2x4s, and standard screw joints. Painted a pretty blue turquoise color, this porch swing is a breeze to build!

With summer now in full swing, I knew we needed a swing plan. Over the last few weeks, I've been doing quite a bit of research, and there are many swing plans available online for free.

(<http://www.woodworkersworkshop.com/resources/index.php?cat=473>)

But I couldn't seem to find one that is so easy, just about anyone can build it, one so sturdy, you won't be hauling it in every time the wind blows, and one with updated modern styling.

 (<https://www.pinterest.com/pin/43768529/>)

Source: [southernliving.com](http://www.southernliving.com/home-garden/gardens/front-back-screen-porch-patio/bright-red-porch) (<http://www.southernliving.com/home-garden/gardens/front-back-screen-porch-patio/bright-red-porch>), via [Ana](https://www.pinterest.com/antiquewhite/) (<https://www.pinterest.com/antiquewhite/>), on [Pinterest](https://www.pinterest.com/) (<https://www.pinterest.com/>).

But I really liked this swing from my Pinterest Board, from Southern Living magazine. And I really suspected that under neath all those beautiful pillows, without the beautiful windows and decorations . . . there is a super simple porch swing, made much like this . . .

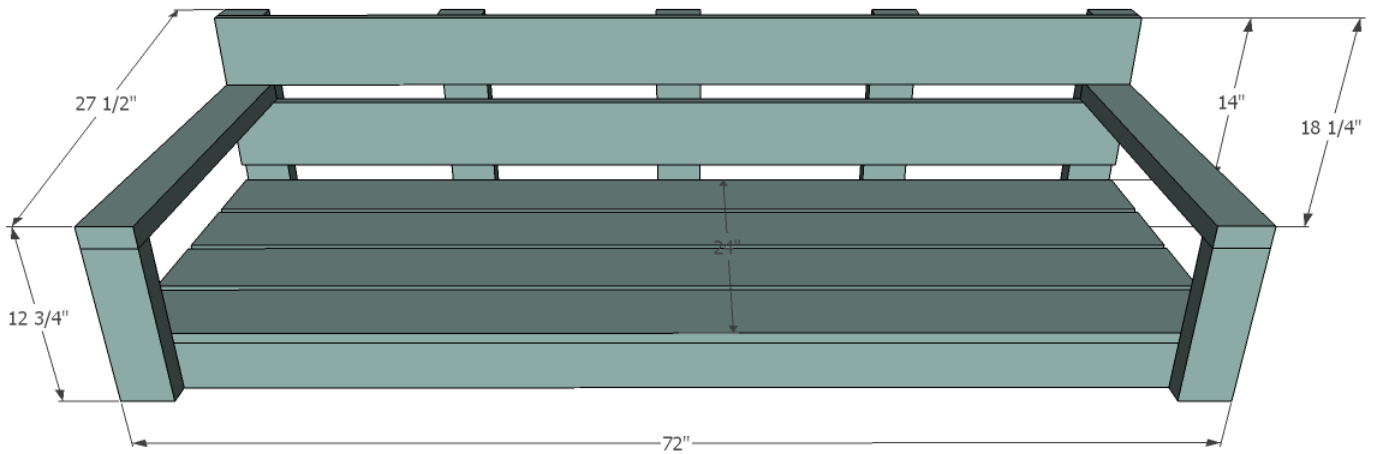


Something you can build in just a few hours, with the most basic of tools, and officially, summer can be in full swing by this weekend.



Have a great weekend!

Dimensions



Dimensions are shown above. Seat is designed to fit 3 24" x 24" cushions, or one 24" wide x 72" long cushion.

Preparation

SHOPPING LIST

6 - 1x6 @ 6 feet long

5 - 2x4 @ 8 feet long

4 - Eye Bolts with Nuts, 3" long

Chains or rope, we used 200 pound weight limit (for four ropes, capacity of 800 pounds)

Hardware to hang to rafters/tree

COMMON MATERIALS

2 1/2 inch screws

2 inch finish nails

2-1/2" Pocket Hole Screws (http://www.amazon.com/gp/product/B000BN7DLU/ref=as_li_tl?ie=UTF8&camp=1789&creative=390957&creativeASIN=B000BN7DLU&linkCode=as2&tag=knooffwoo-20&linkId=XLDYGROR7GI4SHLA)

Elmer's Wood Glue (<http://elmers.com/diy>)

Elmer's Wood Filler (<http://elmers.com/products/wood-filler-and-other-repair?filters=construction#>)

120 grit sandpaper

primer

wood conditioner

paint

paint brush

CUT LIST

5 - 2x4 @ 21" (Support Joists)

2 - 2x4 @ 72" (Front/Back Aprons)

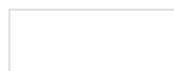
2 - 2x4 @ 11 1/4" (Arm Fronts)

2 - 2x4 @ 25 1/2" (Arm Rests)

5 - 2x4 @ 18 1/4" (Back Supports)

6 - 1x6 @ 72" (slats)

TOOLS





Tape Measure



Speed Square



Pencil



Hammer



Safety Glasses



Ear Protection



Kreg Jig



Drill



Circular Saw



Brad Nailer



Sander



Level



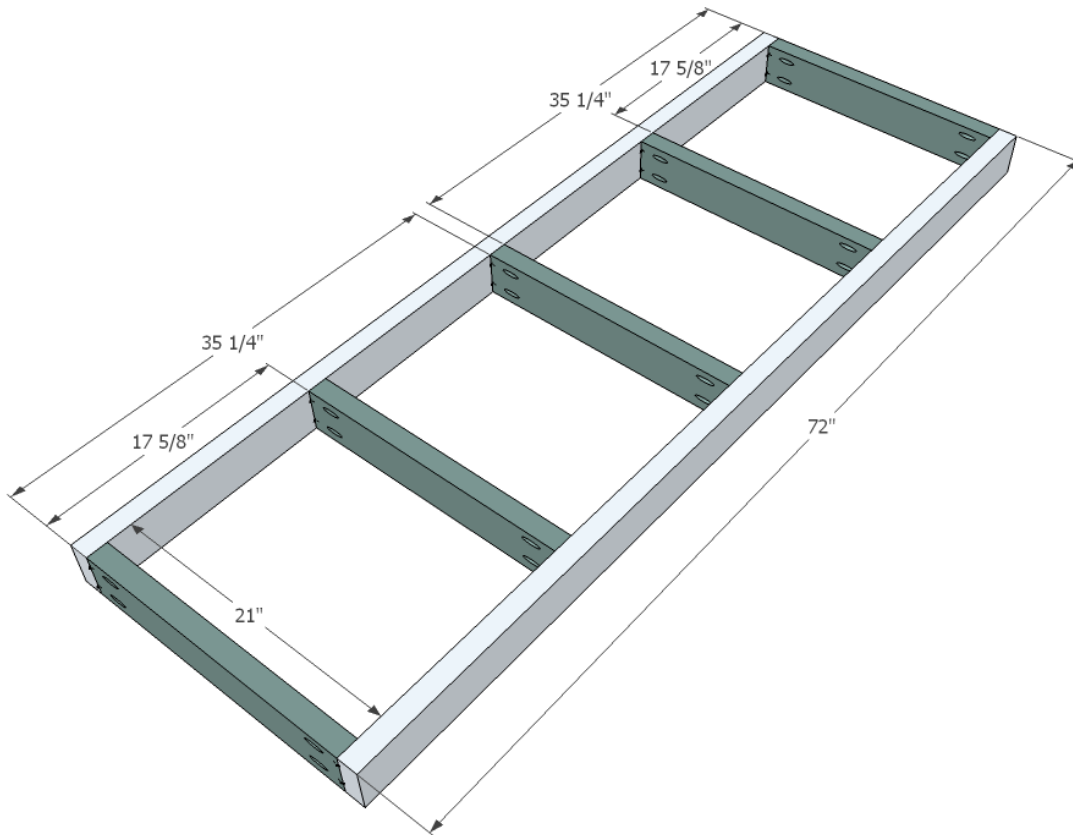
Drill Bit Set

GENERAL INSTRUCTIONS

Please read through the entire plan and all comments before beginning this project. It is also advisable to review the Getting Started Section. Take all necessary precautions to build safely and smartly. Work on a clean level surface, free of imperfections or debris. Always use straight boards. Check for square after each step. Always predrill holes before attaching with screws. Use glue with finish nails for a stronger hold. Wipe excess glue off bare wood for stained projects, as dried glue will not take stain. Be safe, have fun, and ask for help if you need it. Good luck!

Instructions

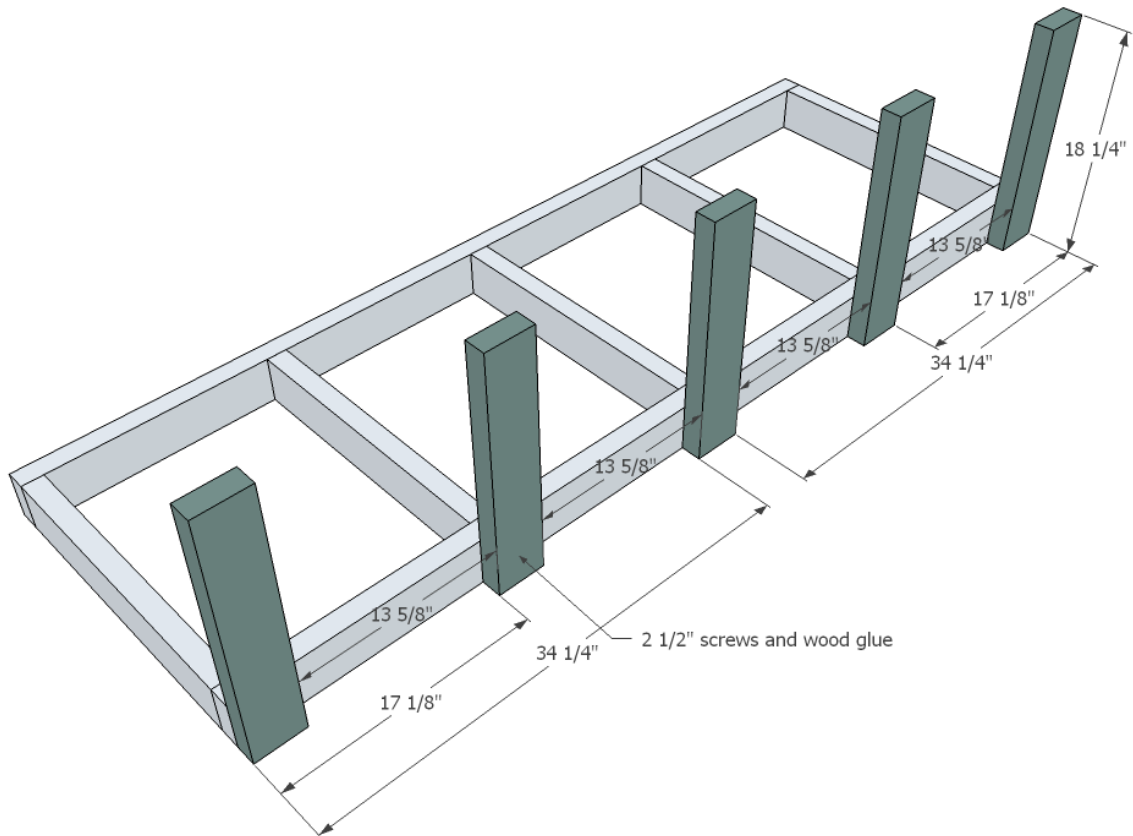
STEP 1



(https://ana-white.com/sites/default/files/Hanging%20swing%20bench%20plans%202_0.png)

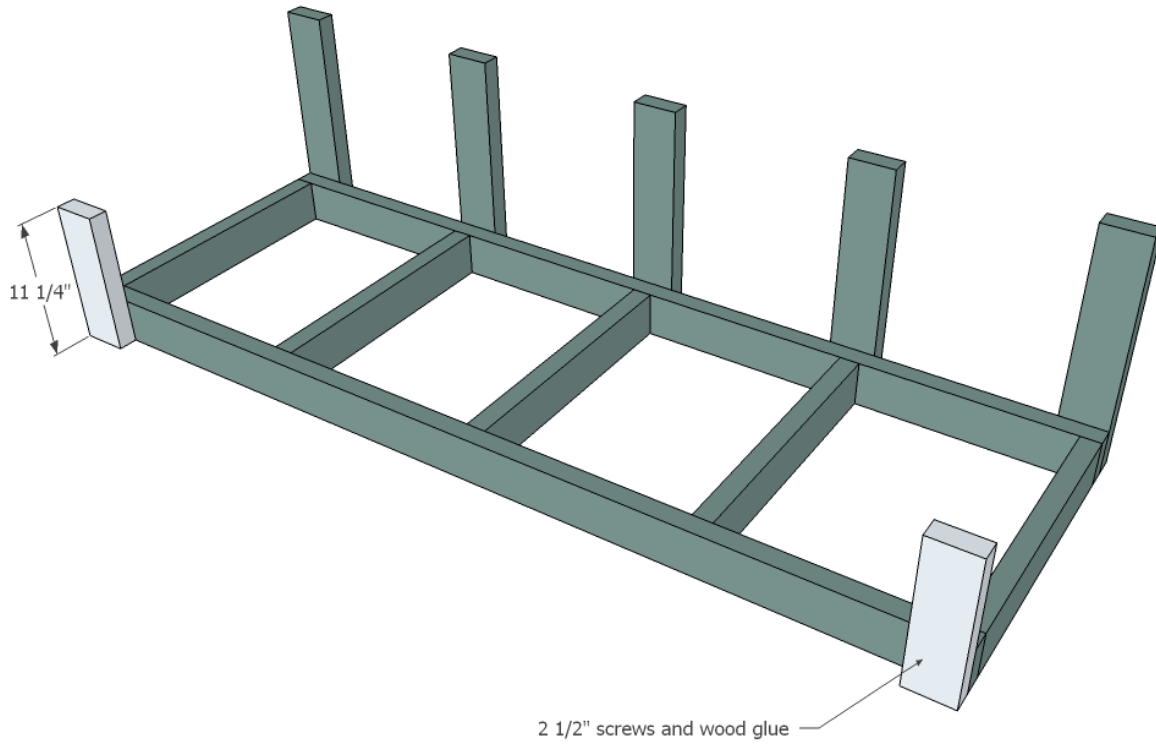
Build the seat frame as shown above, using either pocket holes set for 1 1/2" stock and 2 1/2" screws, or wood glue and 2 1/2" screws predrilled and countersunk.

STEP 2



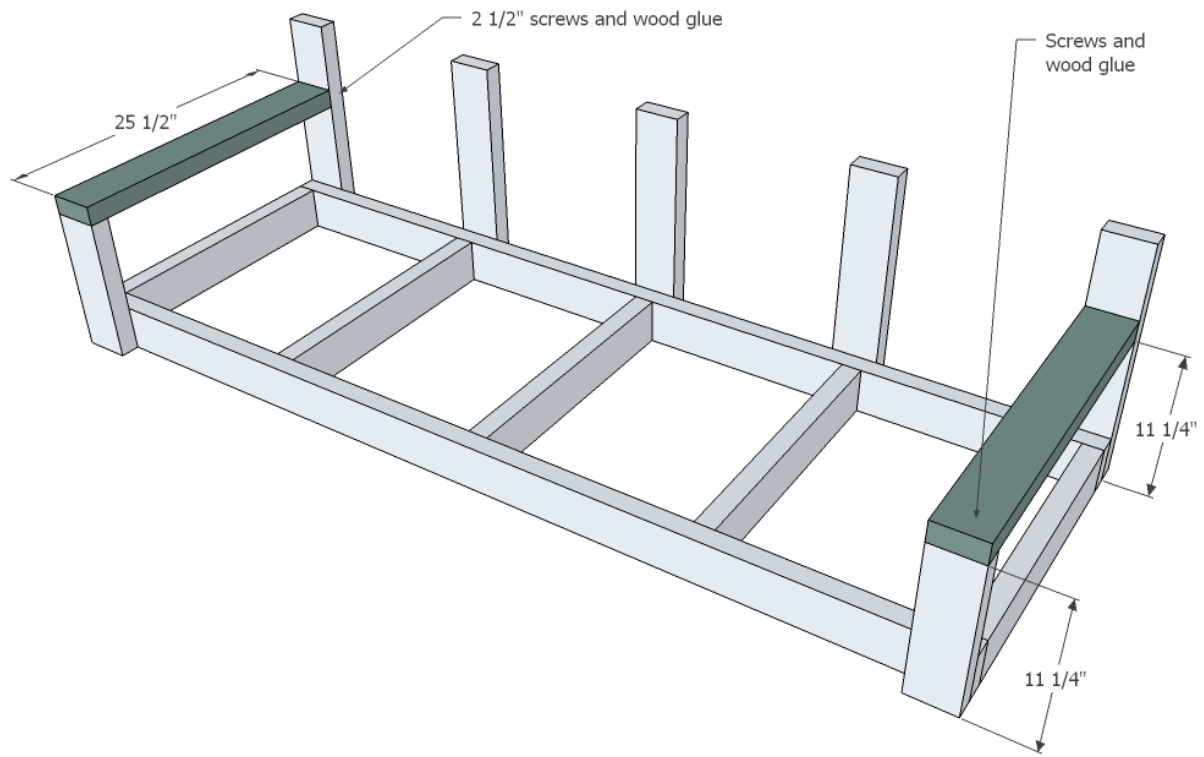
(https://ana-white.com/sites/default/files/Hanging%20swing%20bench%20plans%203_0.png)
To the back of the seat frame, attach the back supports, 2 1/2" screws and wood glue.

STEP 3



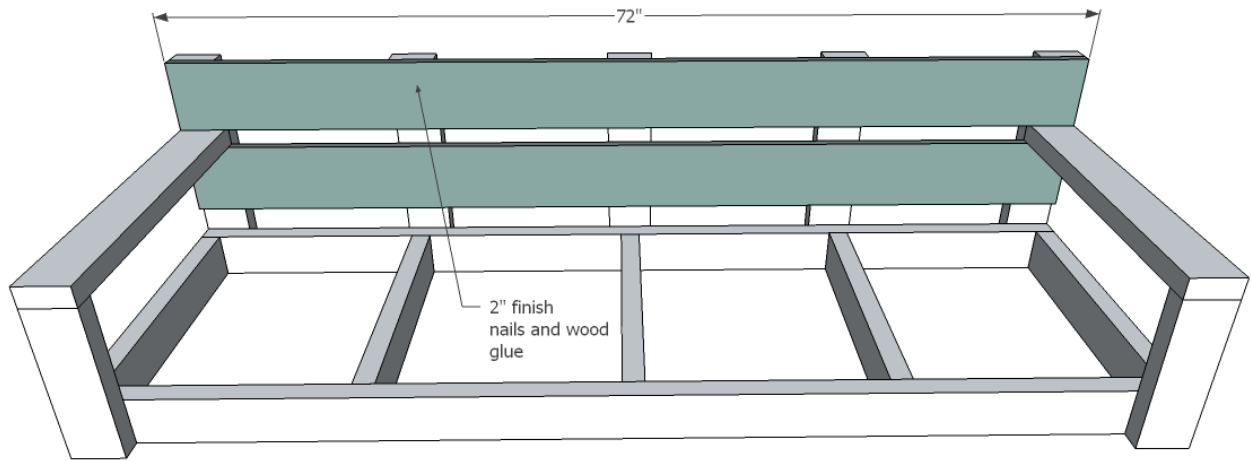
(https://ana-white.com/sites/default/files/Hanging%20swing%20bench%20plans%204_0.png)
Now the arm rest supports - same thing, 2 1/2" screws and wood glue.

STEP 4



(https://ana-white.com/sites/default/files/Hanging%20swing%20bench%20plans%205_0.png)
Armrests go on top - check and adjust for square.

STEP 5



(https://ana-white.com/sites/default/files/Hanging%20swing%20bench%20plans%206_0.png)

STEP 6



(https://ana-white.com/sites/default/files/Hanging%20swing%20bench%20plans%207_0.png)

And finally the seat slats - start at the front, leave 1/2" gaps, and nail and glue down with 2" finish nails.

STEP 7

Now it's time to hang it! We hung ours on an existing playground swing set, but your situation may likely vary from mine. Here is a good article on proper hanging of swings. (<http://www.front-porch-ideas-and-more.com/hang-a-porch-swing.html>)

On this swing, you will want to hang from the side aprons of the seat frame - that's where the majority of your weight will be. Also, I hung ours at a very slight (approximately 5 degree) back angle, to increase the comfort level.

DISCLAIMER: Build, hang and use at your own risk - We are not liable for personal injury, loss or death from use of swing. See our full disclaimer at bottom of all pages.

Finishing Instructions

Preparation Instructions: Fill all holes with wood filler and let dry. Apply additional coats of wood filler as needed. When wood filler is completely dry, sand the project in the direction of the wood grain with 120 grit sandpaper. Vacuum sanded project to remove sanding residue. Remove all sanding residue on work surfaces as well. Wipe project clean with damp cloth. 

It is always recommended to apply a test coat on a hidden area or scrap piece to ensure color evenness and adhesion. Use primer or wood conditioner as needed.

Help Improve This Plan

We apologize if there was an error in this plan. Please help us out and report any errors here.



Welcome, I'm Ana White

I build and share smart, stylish diy projects. Since 2009.

- Subscribe (https://www.youtube.com/user/knockoffwood?sub_confirmation=1 target=) weekly Youtube video
- Subscribe for email updates (https://app.getresponse.com/site2/ana-white?u=w89hP&webforms_id=hjODS)
- I'm on Instagram (<https://www.instagram.com/anawhitediy/>), Pinterest (<https://www.pinterest.com/anawhitediy/>)and Facebook (<https://www.facebook.com/knockoffwood>)